

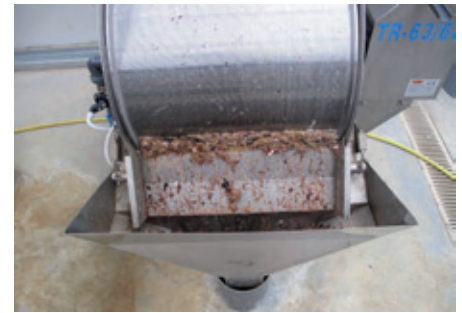
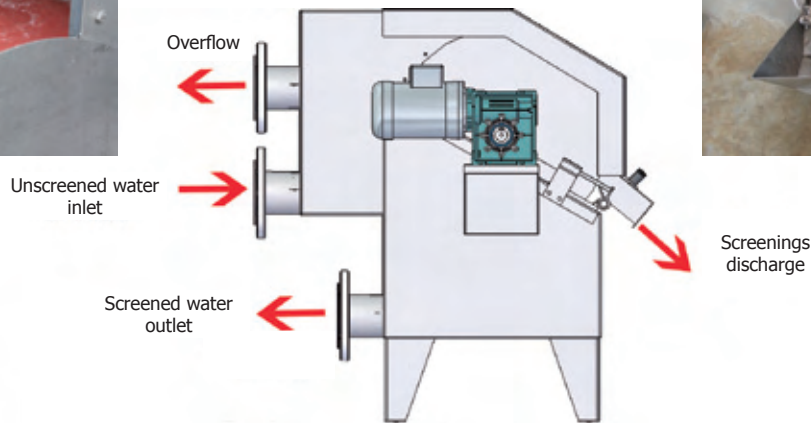
Defender<sup>®</sup> Rotary Screen: high capacity filter for solid-liquid separation, perfect for the pretreatment of wastewater.

Capable of filtering five times more than a static screen.

Self-Cleaning: external cleaning scraper and internal pressurised washwater system for thorough cleaning of the filter drum.

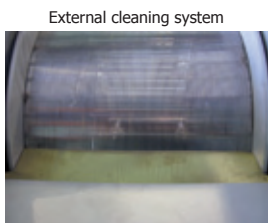
Protective safety cover.

## Process Description



# defender

## Rotary Screen



External cleaning system



Internal cleaning system



Solid-liquid separation



Rotary Screen in installation

## Advantages and Applications:

- Manufactured in stainless steel.
- Includes safety cover and splash protection.
- Internal cleaning system with nozzles.
- External cleaning system with scraper.
- Suitable for the pre-treatment of any wastewater:
  - Trash collection.
  - Foodstuff manufacturing.
  - Wineries & cellars.
  - Meat processing.
  - Canning plants.
  - Biodiesel production.
  - Tanneries and textiles.
  - Municipal wastewater.
  - Fish processing.
  - High oil content applications.
  - Creameries & Dairies.
  - Truck wash area.



Optional:

- Control panel with solenoid valve for automatic cleaning.
- Solids collection hopper.
- Screw compactor for collection and compaction of solids.
- Protective safety cover.
- Integration within our compact plants, (contact our sales or engineering team).

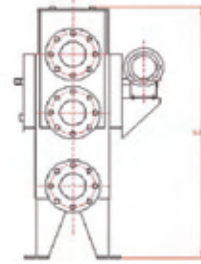
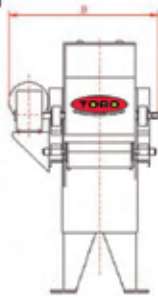


Transportation:

- On request:
  - Fully enclosed protective wooden crate.
  - Palletizing & protective plastic wrapping of equipment.



# Technical Specification



SPECIFICATIONS	Unit	TR 40/25	TR 40/50	TR 40/75
Drum Diameter	mm	400	400	400
Drum Length	mm	250	500	750
Total Length A	mm	960	960	960
Total Width B	mm	600	850	1.100
Total Height C	mm	990	990	990
Inlet Connection	mm	DN 100	DN 100	DN 125
Outlet Connection	mm	DN 100	DN 125	DN 150
Overflow	mm	DN 100	DN 100	DN 100
Material		AISI 304	AISI 304	AISI 304
Power	Kw	0,25	0,25	0,25



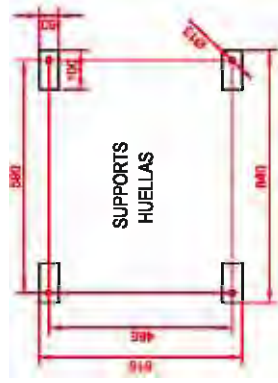
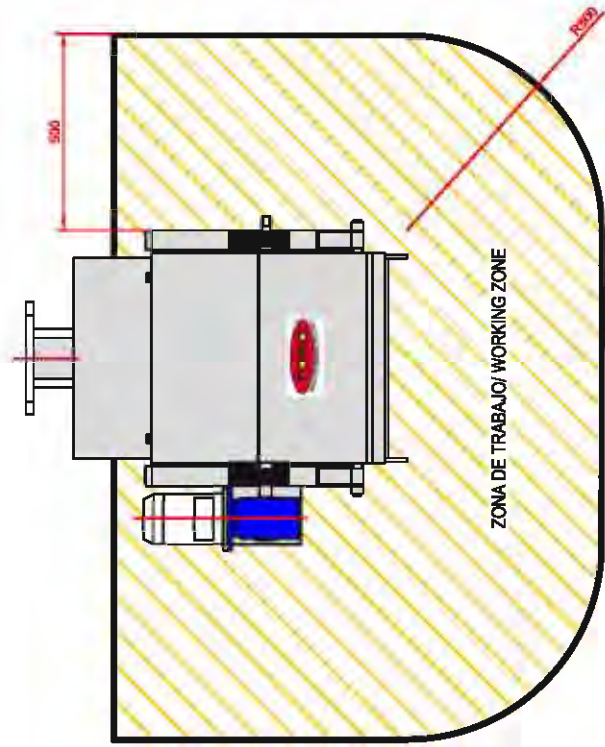
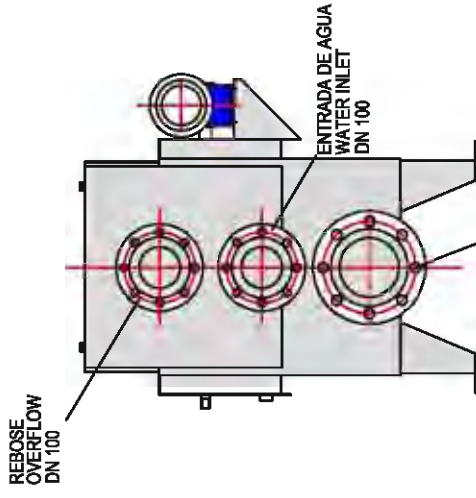
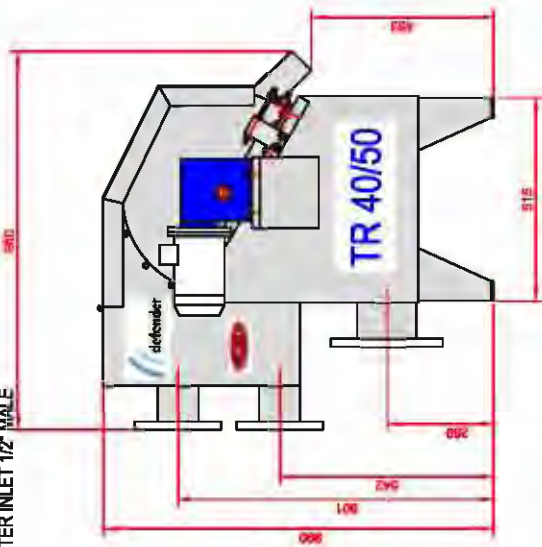
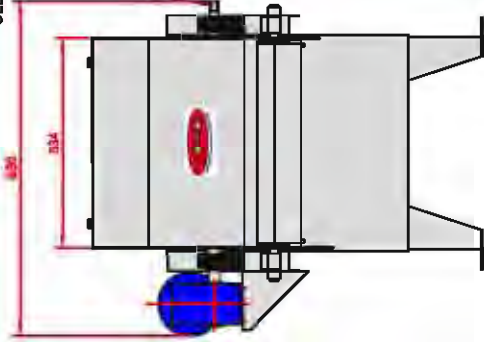
Clean water peak flows m <sup>3</sup> /h			
MESH APERTURE	TR 40/25	TR 40/50	TR 40/75
0,15 mm	6,88	13,77	20,65
0,25 mm	10,64	21,28	31,91
0,50 mm	18,77	37,545	56,317
0,75 mm	25,03	50,06	75,09
1,00 mm	30,04	60,07	90,11
1,50 mm	37,54	75,09	112,63
2,00 mm	42,86	85,73	128,59
2,50 mm	46,93	93,86	140,79
3,00 mm	50,06	100,12	150,18

Notes:

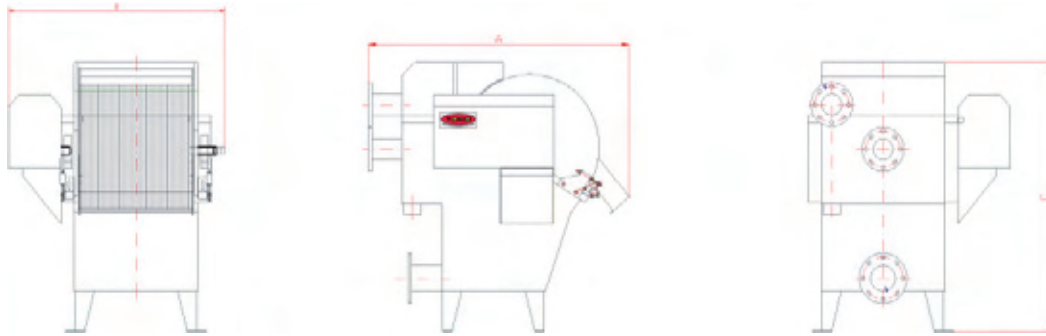
(1) Figures specified are for clean water flows. A reduction should be applied according to the type and amount of solids removed. Consult our engineering department.

(2) The dimensions and specifications may vary slightly due to the normal development of products by Toro Equipment SL. A drawing is available in .dwg and .dxf format files at our website [www.toroequipment.com](http://www.toroequipment.com)

ENTRADA DE AGUA AUTOLIMPIEZA 1/2" MACHO  
CLEANING WATER INLET 1/2" MALE



# Technical Specification



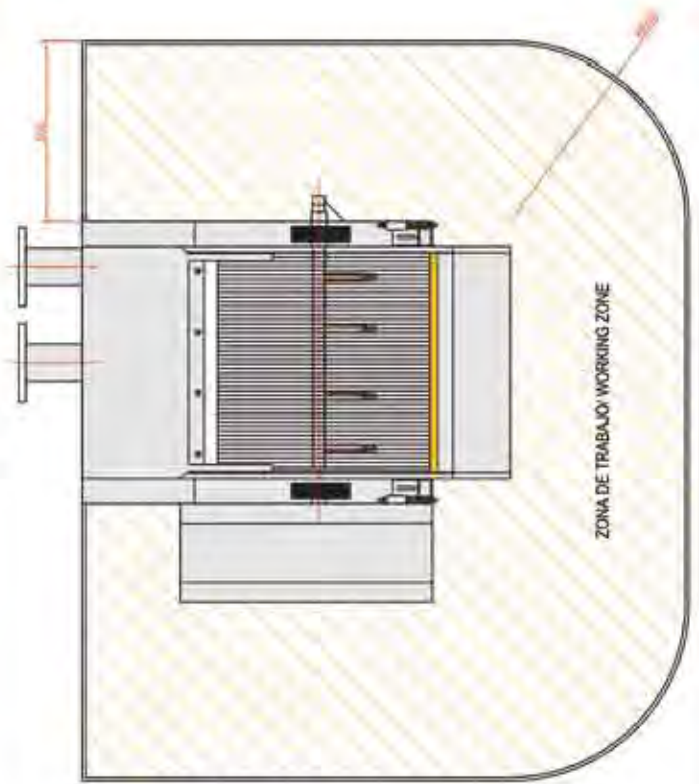
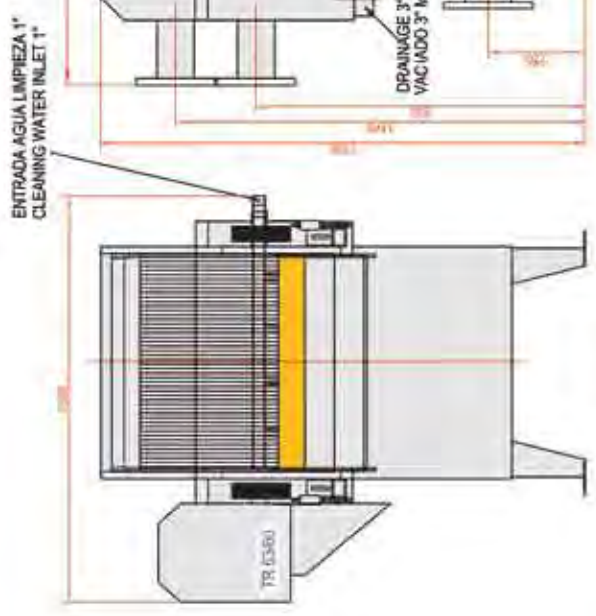
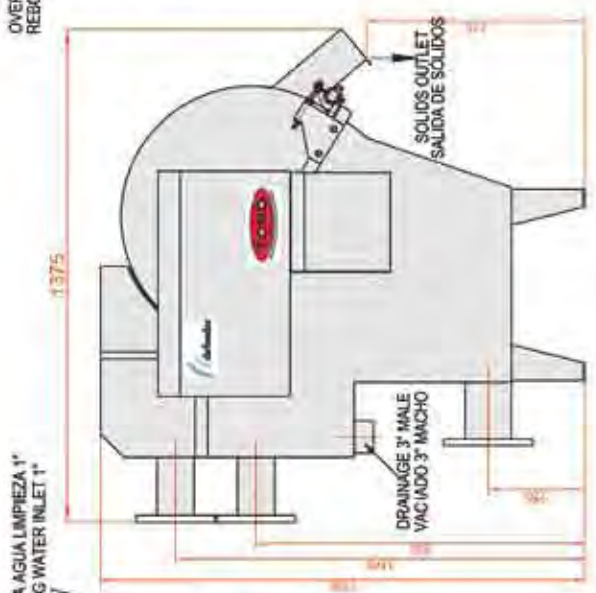
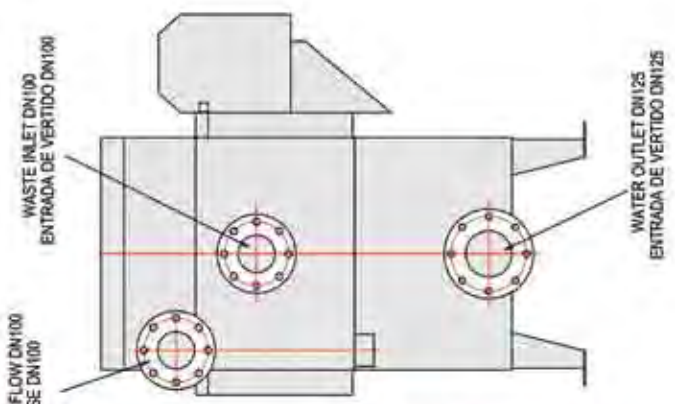
SPECIFICATIONS	Unit	TR 63/30	TR 63/60	TR 63/90	TR 63/120	TR 63/150	TR 63/180	TR 63/200
Drum Diameter	mm	630	630	630	630	630	630	630
Drum Length	mm	300	300	900	1.200	1.500	1.800	2.000
Total Length A	mm	1.375	1.375	1.375	1.375	1.375	1.375	1.375
Total Width B	mm	765	1.065	1.365	1.665	1.965	2.265	2.565
Total Height C	mm	1.355	1.355	1.355	1.355	1.355	1.355	1.355
Inlet Connection	mm	DN 80	DN 100	DN 150	DN 200	DN 200	DN 300	DN 300
Outlet Connection	mm	DN 125	DN 125	DN 150	DN 250	DN 300	DN 300	DN 300
Overflow	mm	DN 100	DN 100	DN 100	DN 150	DN 125	DN 125	DN 125
Emptying		3"	3"	3"	3"	3"	3"	3"
Material		AISI 304	AISI 304	AISI 304	AISI 304	AISI 304	AISI 304	AISI 304
Power	Kw	0,55	0,55	0,55	0,55	0,75	0,75	0,75



Clean water peak flows m <sup>3</sup> /h							
MESH APERTURE	TR 63/30	TR 63/60	TR 63/90	TR 63/120	TR 63/150	TR 63/180	TR 63/200
0,15 mm	11,12	22,91	34,58	46,08	57,75	69,41	76,95
0,25 mm	17,70	36,03	54,34	74,42	90,76	109,06	120,98
0,50 mm	30,99	63,06	95,12	126,75	158,82	190,88	212,04
0,75 mm	41,34	84,09	126,84	168,99	211,74	254,49	282,15
1,00 mm	49,59	100,89	152,19	202,64	253,94	305,24	338,58
1,50 mm	61,99	126,11	190,24	253,51	317,63	381,76	423,65
2,00 mm	70,84	144,11	217,43	289,76	362,99	436,48	483,93
2,50 mm	77,48	157,64	237,80	316,89	397,04	477,20	530,64
3,00 mm	82,51	168,01	253,51	338,03	423,53	509,03	564,73

Notes:

- (1) Figures specified are for clean water flows. A reduction should be applied according to the type and amount of solids removed. Consult our engineering department.
- (2) The dimensions and specifications may vary slightly due to the normal development of products by Toro Equipment SL. A drawing is available in .dwg and .dxf format files at our website [www.toroequipment.com](http://www.toroequipment.com)



## Worldwide Presence



Spain  
Germany  
Argentina  
Belgium  
Bulgaria  
Canada  
Chile  
Croatia  
Egypt  
UAE  
Estonia  
France  
Greece  
Holand  
Hungary  
Latvia  
Morocco  
Mexico  
Pakistan  
Poland  
Portugal  
UK  
Rumania  
Russia  
Tunisia  
Ukraine  
Venezuela



TORO EQUIPMENT S.L.  
C/ Sauce s/n. 47193 La Cisterniga  
Valladolid-España

Tel +34 983 403047 Fax +34 983 403048  
toro@toroequipment.com  
www.toroequipment.com



© TORO EQUIPMENT 2011-2012  
DEFENDER® ROTARY SCREEN